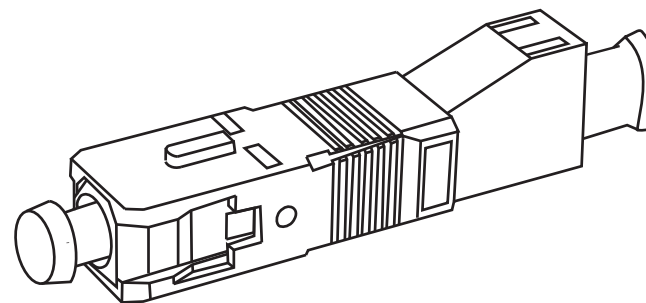
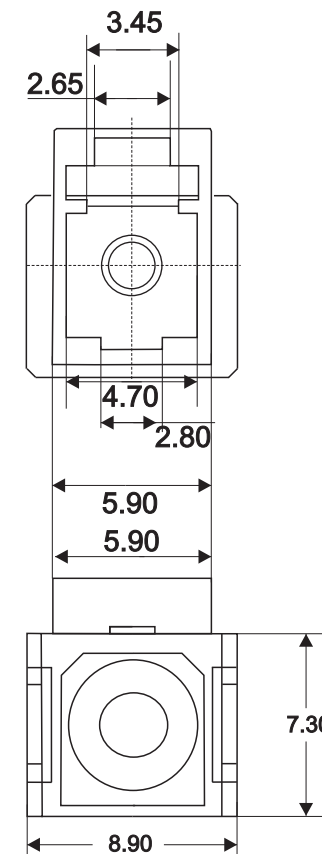
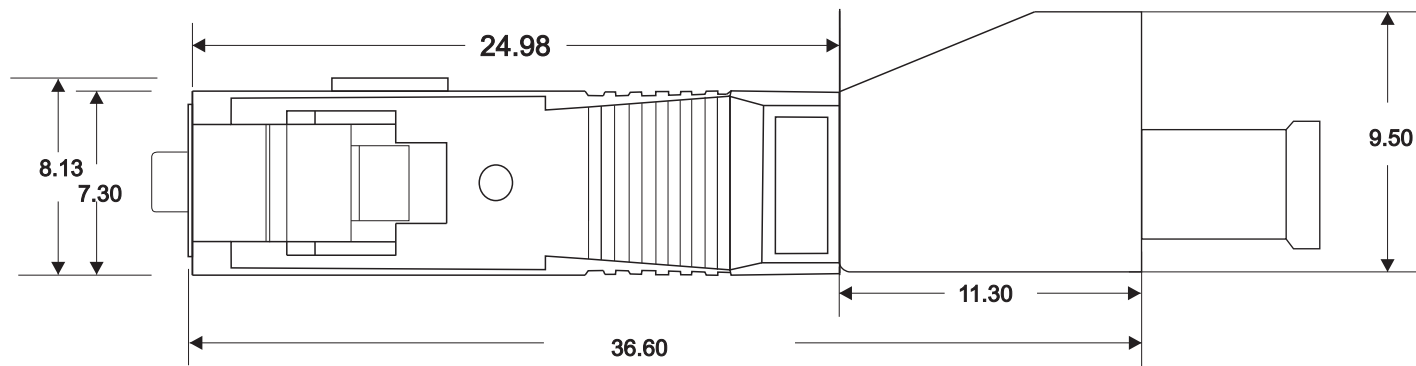




LC UPC Female to SC UPC Male Singlemode 9/125 Simplex Fiber Optic Conversion Adapter



Unmarked Tolerances

- 0–3 mm: ± 0.05
- 3–18 mm: ± 0.10
- 18–50 mm: ± 0.15
- 50 mm: ± 0.20
- Angles: $\pm 0.5^\circ$

Technical Specifications

- Insertion Loss: ≤ 0.5 dB (single-fiber test)
- Return Loss: UPC ≥ 45 dB; APC ≥ 55 dB
- Test Wavelengths: 1310/1550 nm or 1260/1620 nm
- Operating Temp: -40°C to $+85^\circ\text{C}$
- Color: Blue
- Appearance: Clean, smooth, no cracks or burrs
- Compliance: RoHS 2.0 compliant

Units : mm

P/N: QT-FOCA-LCUF-SCUM-SM-SX

TITLE: LC UPC Female to SC UPC Male Singlemode 9/125
Simplex Fiber Optic Conversion Adapter by QuickTreX®